

THE HIGH COURT OF SINDH, KARACHI

Description / Quotation Required for Items	Machinery Item
Date of uploading of quotation	14.01.2024
Last date of submission of quotation	17.01.2024
Contact Person & Contact No:	Assistant Registrar (Budget) 021-99203151-9 Ext. 601
Delivery of Items	Store of High Court of Sindh, Karachi

Sr. No.	Description	Make & Model	QTY	Rate with GST
1.	Floor Polishing Machine	Orbis 200 and 400rpm 20Inch (Product Brochure attached)	1	To be filled by the Supplier

Terms & Conditions:-

- 1) The interested supplier / service provider shall provide his full name, office address, proprietorship status, copy of CNIC, relevant tax & business registration certificates which will be updated by the concerned official of this Court.
- 2) Payment shall be made after satisfactory delivery.
- 3) All taxes shall be applicable as per rules.
- 4) This Sindh High Court reserves the right to cancel any or all the above items, if material is not in accordance with our specifications or due to delayed delivery or without assigning any other reasons.


Assistant Registrar (Budget)

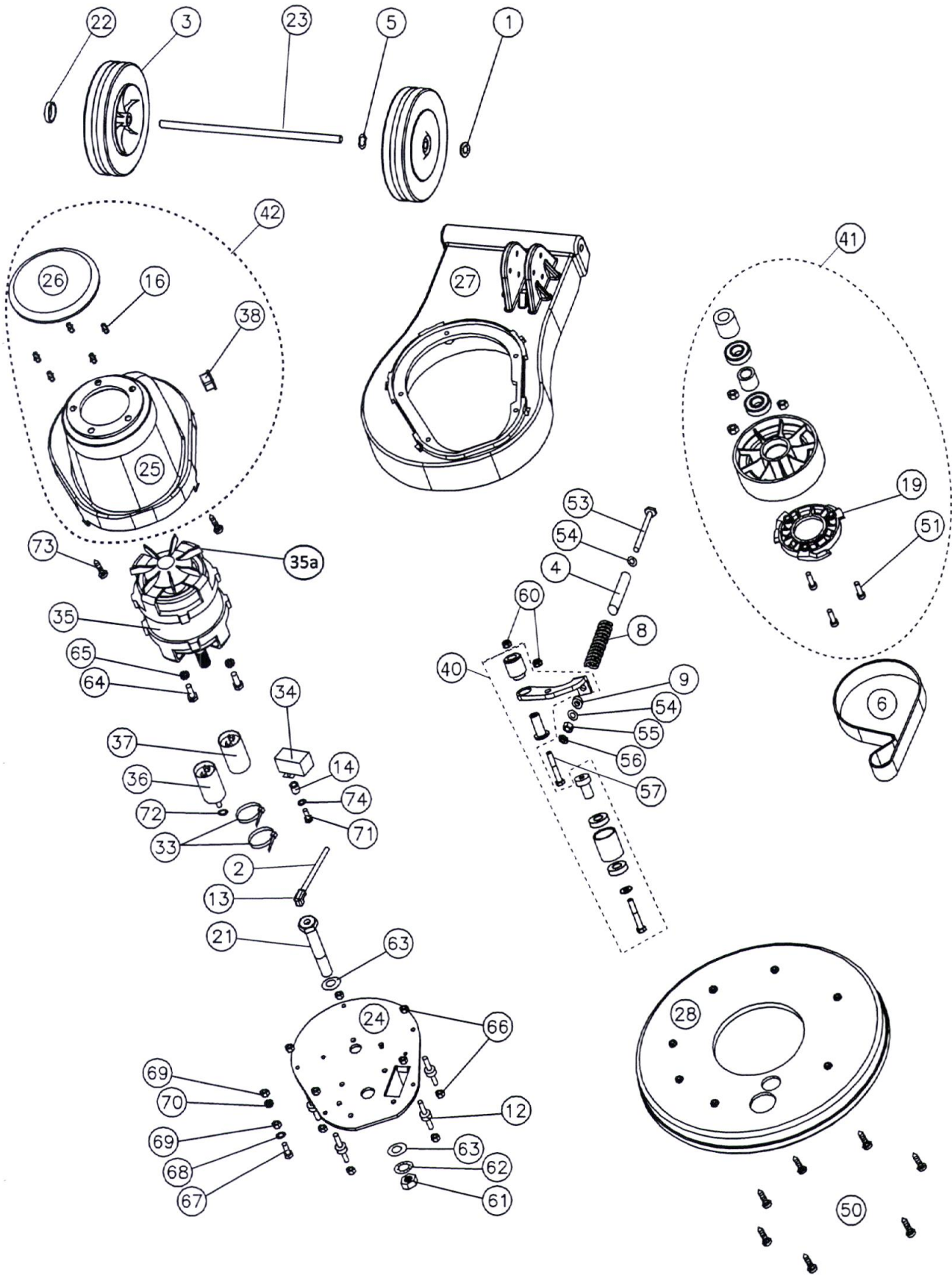
Tacony CFC		Orbis 200 and 400rpm 20Inch	
Part Number:	OB50200, OB50400		
Base Assembly P/N:	05-4183-0000 (OB50200), 05-4184-0000 (OB50400)		
Handle Assembly P/N:	05-4727-0000 (UK Versions), 05-4728-0000 (Euro Versions)		
Series:	E (From serial no.040443)		
Date:	25-Nov-20		
Reference Drawing number:	09-1003-0000 (Base Assembly), 09-1002-0000 (Handle Assembly)		
Reference Drawing Issue:	D (Base Assembly), C (Handle Assembly)		
Modified By:	N DOWSE		
Service Parts List Issue:	I		ECN #
Description of Change:	Colour change		-

Ref. No.	Part No.	Part Description	Qty
		DRAWING REF: 09-1003-0000 - BASE ASSEMBLY	
1	02-0254-0000	Starlock washer	2
2	02-0264-1000	Pipe (Only available on Orbis 200 models)	0.145M
3	02-3121-0000	Wheel	2
4	02-3130-1000	Adjusting Bolt Thread Protection Tube	0.06M
5	02-3185-0000	Crinkle Washer	2
6	02-3499-0000	Belt - main drive	1
8	02-3501-0000	Belt Tensioning Spring	1
9	03-6172-0000	Rubber Washer	1
12	02-3507-0500	Flexible coupling - vibration damper	5
13	03-8323-0000	Barbed Elbow Fitting (Only available on Orbis 200 models)	1
14	02-3519-0000	Round Plastic Spacer	1
16	03-6194-0000	Orbis Fan Cover Locking Pin	5
19	03-6077-0000	Engagement Hub	1
21	03-6079-0000	Spindle	1
22	02-3124-0000	Wheel Cap	2
23	03-6081-0000	Axle	1
24	03-6082-0000	Motor Mount Plate	1
25	03-6083-0067	Motor Cover Jet Black	1
26	03-6084-0035	Fan Cover Teal	1
27	03-6101-0067	Base Mould Jet Black Ral 9005	1
28*	03-6684-0035	Orbis 20 Inch Brush Guard Teal RAL 5021	1
29	03-6106-0000	Output Drive Spacer	1
33	04-0279-0000	Cable Ties	2
34 to 37	SEE NOTE BELOW - PRIOR TO CONTACTING TRUVOX PLEASE ADVISE WHICH MOTOR IS CURRENTLY IN THE MACHINE (SEE PAGE 2)		
38	04-3235-0000	Female Socket	1
Not Shown	04-3244-0000	Base Wiring Kit (Not Shown)	1
40	05-3698-0000	Tension Arm and Idler Assembly	1
41	05-3467-0000	Orbis Drive Pulley & Hub Assy	1
42	05-3700-0000	Orbis Motor Cover Assembly	1
		<u>Fastenings</u>	
50	02-3515-0000	Self Tappper	7
51	00-0830-0091	Output Drive Hub/Pulley Fix M8 x 30 Socket Head Screw	3
52	00-0800-0721	Output Drive Hub/Pulley Fix M8 Nyloc	3
53	00-0899-0111	Tensioning Spring Bolt M8 x 130 Hex Head Screw	1
54	00-0800-0551	Tensioning Spring Washers Form "C" Large Diameter	2

55	00-0800-0701	Tensioning Spring Nut M8 Full Nut	1
56	00-0800-0711	Tensioning Spring Locknut M8 Lock Nut	1
60	00-0800-0751	Bolt Securing Nut M8 Type "T" 1/2 Nyloc Nut	2
61	00-2000-0701	Output Drive Nut M20 Full Nut	1
62	00-2000-0521	Output Drive Securing Washer M20 Int Shakeproof Washer	1
63	00-2000-0501	Output Drive Washer M20 Plain Washer	2
64	00-0816-0111	Motor Mount Bolt M8 x 16 Hex Head Bolt	4
65	00-0800-0511	Motor Mount Spring Washer M8 Single Coil	4
66	00-0600-0721	Vibration Mount Nut M6 Nyloc Nut	10
67	00-0520-0111	Earth Mount on Plate M5 x 20 Hex Head Screw	1
68	00-0500-0531	Earth Mount on Plate Shakeproof M5 External Shakeproof	1
69	00-0500-0701	Earth Mount on Plate Nuts M5 Full Nut	2
70	00-0500-0511	Earth Mount on Plate Springwasher M5 Single Coil	1
71	00-0520-0111	Relay Fixing Bolt M5 x 20 Hex Head Screw	1
72	02-3250-0000	Capacitor Securing Washer M8 External Fan	1
73	02-3515-0000	Motor Cover Securing Screws	2
74	00-0500-0531	Relay Bolt Shakeproof Washer M5 External Shakeproof	1

Orbis 200			
Motor 1 - Leroy			
34	04-3150-0000	Relay	1
35	04-3223-0000	Motor 1100W, 50Hz, 4 Pole (200 Speed Machine)	1
36	04-3228-0000	Capacitor Run 32 uf	1
37	04-3230-0000	Capacitor Start 80 uf (200 Speed Machine)	1
Motor 2 - Lemac			
34	04-3925-0000	Relay	1
35	04-3943-0000	Motor 1100W, 50Hz, 4 Pole (200 Speed Machine)	1
35a	04-4003-0000	Fan Only (Lemac / Regal)	1
36	04-3957-0000	Capacitor Run 25 uf	1
37	04-3956-0000	Capacitor Start 150 uf (200 Speed Machine)	1
Motor 3 - Tacony			
34	04-3974-0000	Relay	1
35	04-3223-0500	Motor 1100W 230V 50Hz 4 POLE c/w Capacitors & Relays	1
35a	04-4005-0000	Fan Only	1
36	04-3501-0500	Capacitor Run 30 uf	1
37	04-3956-0000	Capacitor Start 150 uf (200 Speed Machine)	1

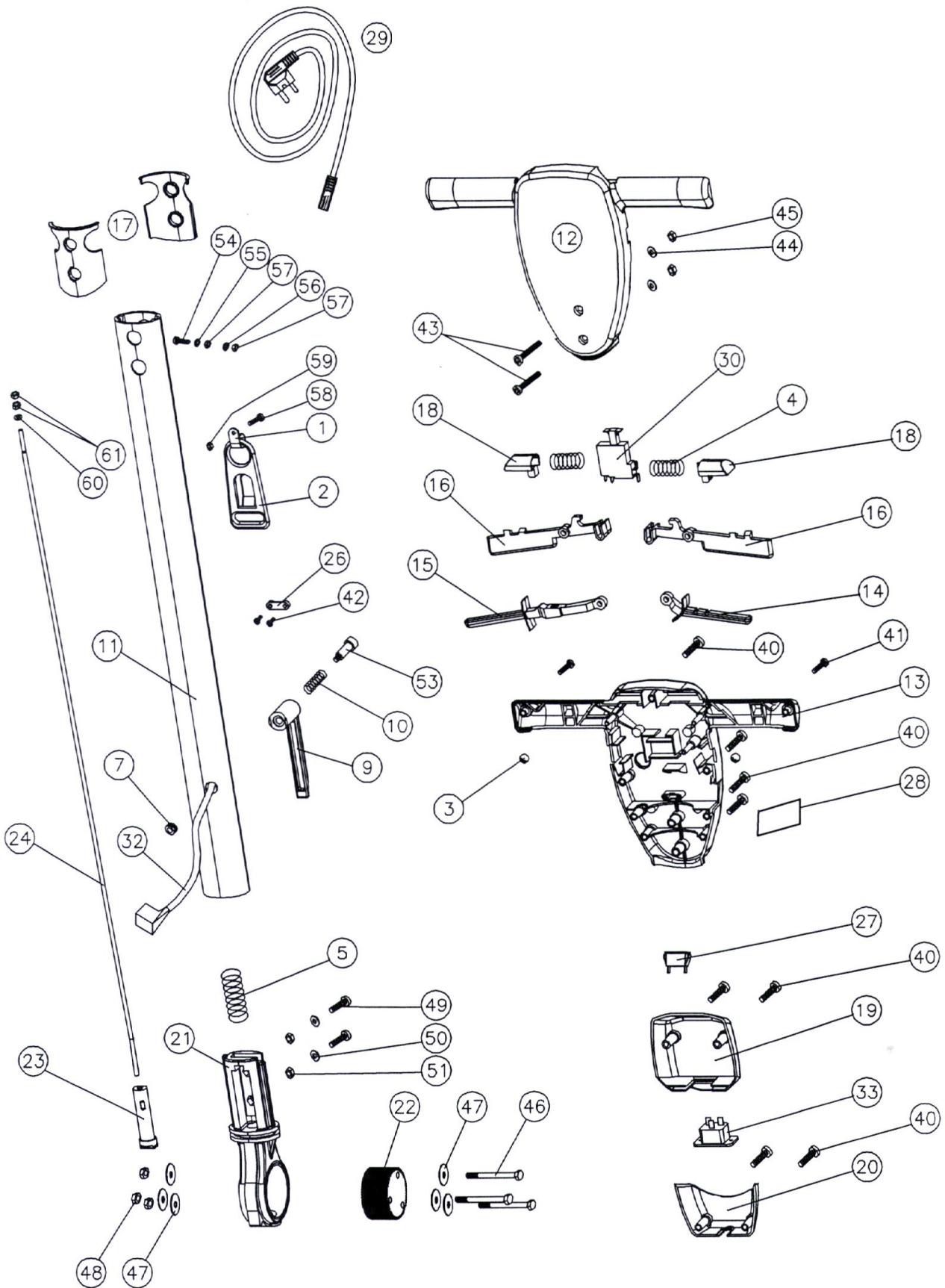
Orbis 400			
Motor 1 - Leroy			
34	04-3150-0000	Relay	1
35	04-3224-0000	Motor 1100W, 50Hz, 2 Pole (400 Speed Machine)	1
36	04-3228-0000	Capacitor Run 32 uf	1
37	04-3231-0000	Capacitor Start 100 uf (400 Speed Machine)	1
Motor 2 - Lemac			
34	04-3925-0000	Relay	1
35	04-3944-0000	Motor 1100W, 50Hz, 2 Pole (400 Speed Machine)	1
35a	04-4003-0000	Fan Only (Lemac / Regal)	1
36	04-3501-0000	Capacitor Run 30 uf	1
37	04-3965-0000	Capacitor Start 90 uf (400 Speed Machine)	1
Motor 3 - Tacony			
34	04-3974-0000	Relay	1
35	04-3224-0500	Motor 1100W, 50Hz, 2 Pole (400 Speed Machine)	1
35a	04-4005-0000	Fan Only	1
36	04-3501-0500	Capacitor Run 30 uf	1
37	04-3231-0000	Capacitor Start 100 uf (400 Speed Machine)	1



Tacony CFC		Orbis 200 & 400rpm 20Inch Base Assy	
Part Number:		OB50200, OB50400	
Date:	18-Mar-19	Sheet no.	
Drawing Number:	09-1003-0000 Base Assembly)	1 / 1	
Drawing Issue:	D	DESCRIPTION OF CHANGE	ECN #
Modified By:	J WYLES	New Part: Fan Only (Item 35a)	1355

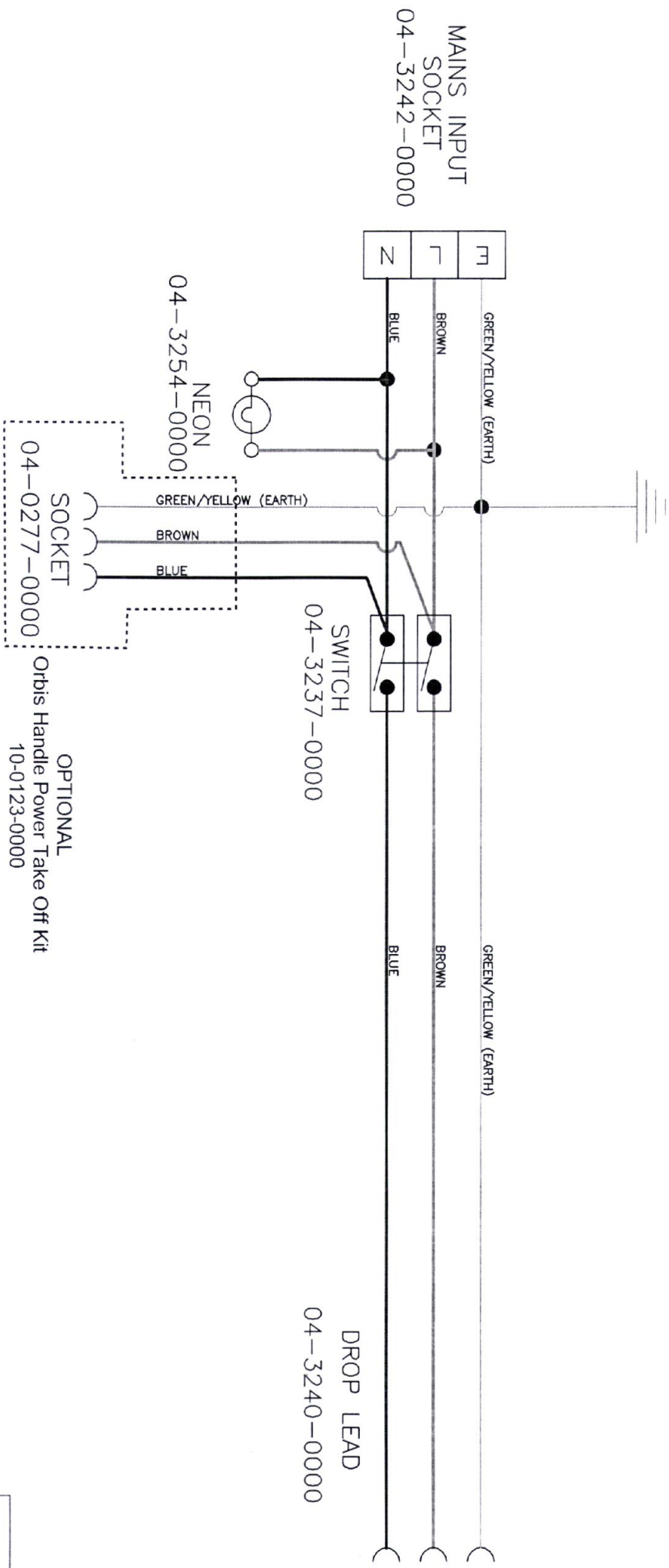
Ref. No.	Part No.	Part Description	Qty
DRAWING REF: 09-1002-0000 - HANDLE ASSEMBLY			
1	02-3151-0000	P Clip	1
2	02-3152-0000	Cable Strain Relief Bracket	1
3	02-3186-0000	Ball bearing	2
4	02-3510-0000	Handle Interlock Spring	2
5	02-3511-0000	Gear dog Spring	1
7	02-3520-0000	Diaphragm Grommet	1
Not Shown	05-4721-0000	13mm Spanner for ORBIS (Not Shown)	2
9	03-5403-0000	Cable winder	1
10	03-5410-0000	Cable Winder Spring	1
11	03-6085-0000	Tube - handle aluminium ext.	1
12	03-6086-0067	Handle main - front Jet Black	1
13	03-6087-0067	Handle main - rear Jet Black	1
14	03-6088-0067	Solution Lever Jet Black	1
15	03-6089-0067	Gear lever Jet Black	1
16	03-6090-0067	Trigger left and right Jet Black	2
17	03-6091-0000	Handle Rubber boot	2
18	03-6092-0067	Interlock Jet Black	2
19	03-6093-0067	Cord inlet box Jet Black	1
20	03-6094-0067	Cord retainer Jet Black	1
21	03-7831-0000	Aluminium Knuckle	1
22	03-6096-0000	Gear	1
23	03-6097-0000	Dog	1
24	03-6098-0000	Adjusting Gear Rod	1
25	03-6120-0000	Instruction Manual (Not Shown)	1
26	04-0237-0000	Cable clamp	1
27	04-3254-0000	Neon Indicator Green	1
28	03-6693-0067	Handle Socket Blanking Plate	1
29a	04-3055-0053	Supply Cord Set	1
29b	04-3055-0153	Europlug Supply Cord Set	1
30	04-4024-0000	Switch	1
Not Shown	04-3937-0000	Handle Wiring Kit Without Power Take Off (Not Shown)	1
32	04-4025-0000	Drop lead	1
33	04-3242-0000	16Amp Inlet Socket	1
Not Shown	10-0123-0000	Orbis Handle Power Take Off Kit (Not Shown)	1
Not Shown	04-3239-0000	Handle Wiring Kit With Power Take Off (Not Shown)	1
		<u>Fasteners</u>	
40	02-3516-0000	Self Tapper (Main Handle / Cord Inlet Box)	11
41	02-3517-0000	Self Tapper (Handle Ends)	2
42	02-3518-0000	Self Tapper (Cable Clamps)	2
43	00-0650-0011	Handle Tube Fix M6 x 55 Pozi Pan Head Screw	2
44	00-0600-0521	Handle Tube Fix M6 Shakeproof	2
45	00-0600-0701	Handle Tube Fix M6 Full Nut	2
46	00-0875-0121	Handle Attachment Bolt M8 x 70 Hex Head Bolt	3
47	02-0223-0000	Handle Attachment Washer Zinc Washer 5/16" x 1 1/4"	6
48	00-0800-0751	Handle Attachment Nut M8 Type "T" 1/2 Nyloc Nut	3
49	00-0816-0111	Knuckle Bolt M8 x 16 Hex Head	2
50	00-0800-0501	Knuckle Washer M8 "A" Form Washer	2
51	00-0800-0731	Knuckle Nut M8 Binx Nut	2
53	02-3523-0000	New Cable Winder Bolt Socket Shoulder Bolt M6 x 8 x 40	1
54	00-0520-0111	Earth Mount on Handle M5 x 20 Hex Head	1
55	00-0500-0531	Earth Mount on Handle Serrated Washer M5 External	1

56	00-0500-0511	Earth Mount on Handle Spring Washer M5 Single Coil	1
57	00-0500-0701	Earth Mount on Handle Fixing Nuts M5 Full Nut	2
58	00-0520-0111	Cable Restraint Bolt M5 x 20 Hex Head Screw	1
59	00-0500-0701	Cable Restraint Nut M5 Full Nut	1
60	00-0500-0501	Gear Rod Washer M5 Washer	1
61	00-0500-0701	Gear Rod Nuts M5 Full Nut	2



Tacony CFC		Orbis 200 & 400rpm 20Inch Handle Assy	
Part Number:		OB50200, OB50400	
Date:	18-Mar-19	Sheet no.	
Drawing Number:	09-1002-0000 (Handle Assembly)	/	
Drawing Issue:	C	DESCRIPTION OF CHANGE	ECN #
Modified By:	J WYLES	-	-

Issue	Amendments	Sig./Date
A	NEW DRAWING	15.12.10 M.D.C.
B	OPTIONAL POWER TAKE OFF KIT	03.09.13 N.P.D



RED ON MASTER



3RD ANGLE PROJECTION
DIMENSIONS IN MILLIMETRES
DO NOT SCALE DRAWING
©COPYRIGHT

Material

Finish

Drwn

M.D.C.

General Tolerance

Scale

Date

15.12.10

Title

TRUVOX™ INTERNATIONAL LIMITED
ORBIS HANDLE WIRING
DIAGRAM (230V 50HZ)

Drawing/Part Number

09-1127-0000

